

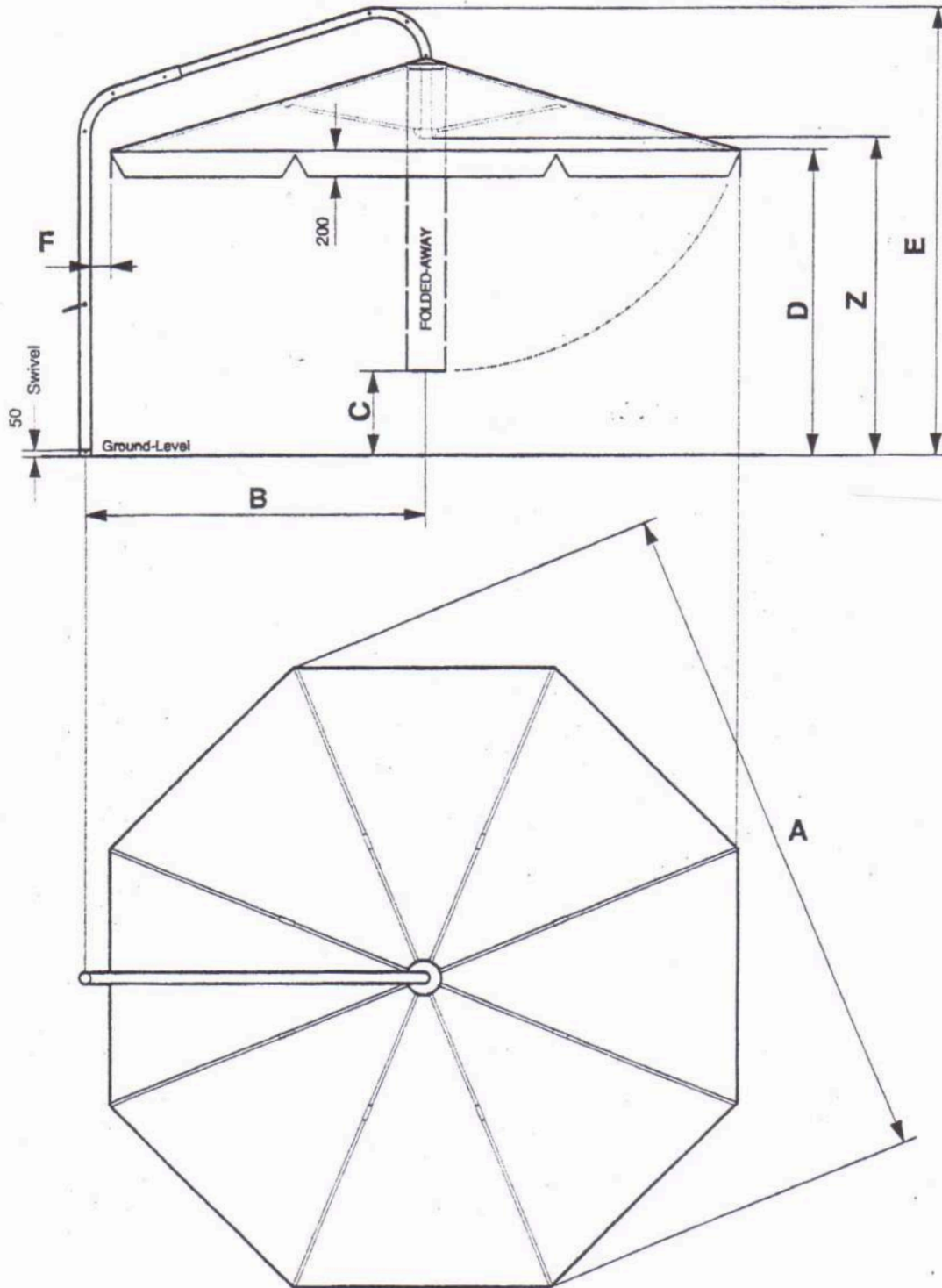
**Freecall
1800 242 162**

Deluxe

Specifications



PO Box 646 Robina Qld Australia 4226
Unit 1-8B Alex Fisher Dr Burleigh Gardens Qld Australia 4226
Ph: (07) 5522 0222 Fax: (07) 5522 0233



Model	Dim - A	Dim - B	Dim - C	Dim - D	Dim - E	Dim - F	Dim - Z
4-metre	4000	2530	760	2200	3280	600	2220
5-metre	5050	2810	380	2230	3300	400	2290
6-metre	6010	2910	170	2530	3600	50	2500

These dimensions are approximations - and given for use as a guide only. Actual models can vary.

Freecall
1800 242 162

Deluxe

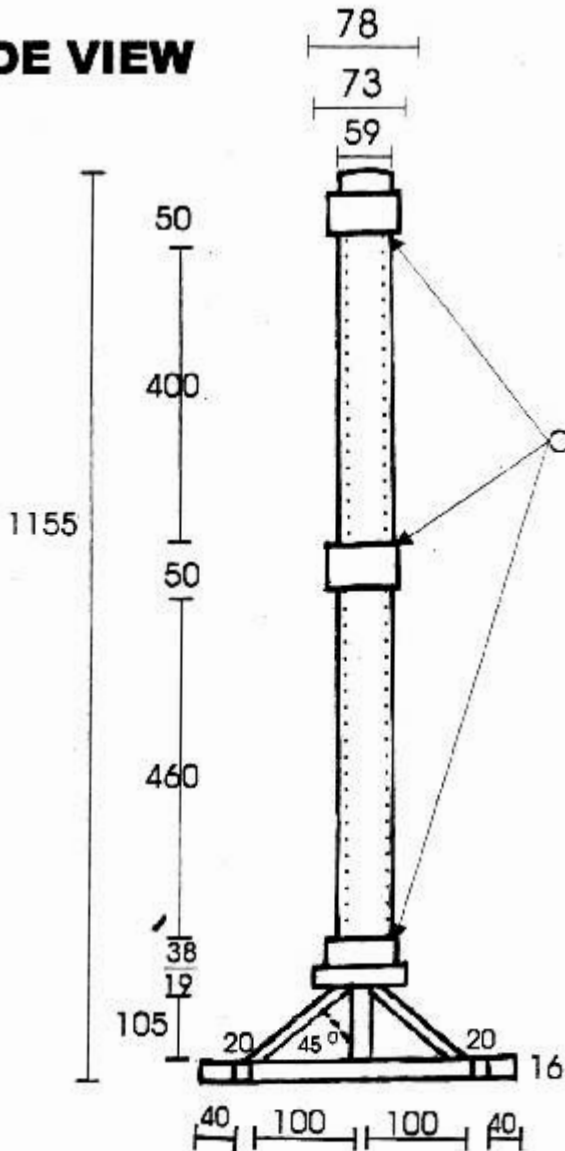
Specifications



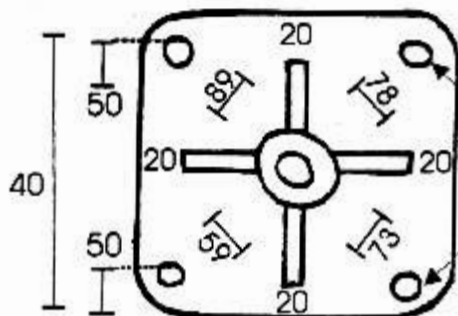
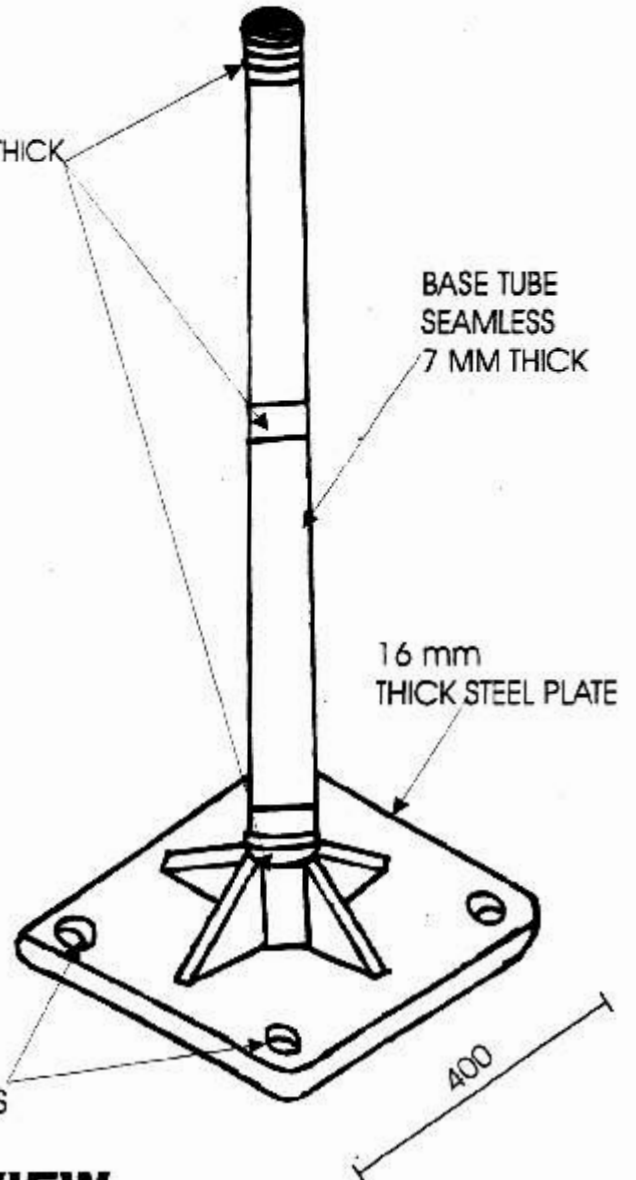
PO Box 646 Robina Qld Australia 4226
Unit 1-8B Alex Fisher Dr Burleigh Gardens Qld Australia 4226
Ph: (07) 5522 0222 Fax: (07) 5522 0233

Bolt Down Base

SIDE VIEW



3 D VIEW



PLAIN VIEW

20 mm
BOLT HOLES

**Freecall
1800 242 162**

Deluxe

Specifications



PO Box 646 Robina Qld Australia 4226
Unit 1-8B Alex Fisher Dr Burleigh Gardens Qld Australia 4226
Ph: (07) 5522 0222 Fax: (07) 5522 0233

IN - GROUND BASE SPECIFICATIONS DELUXE

These dimensions to be used as a guide only. Soil conditions could necessitate adjustments.

Ground tube to protrude above ground level	4 metre x	75mm
	5 metre x	75mm
	6 metre x	75mm

Ground tube must be plumbed vertical.

